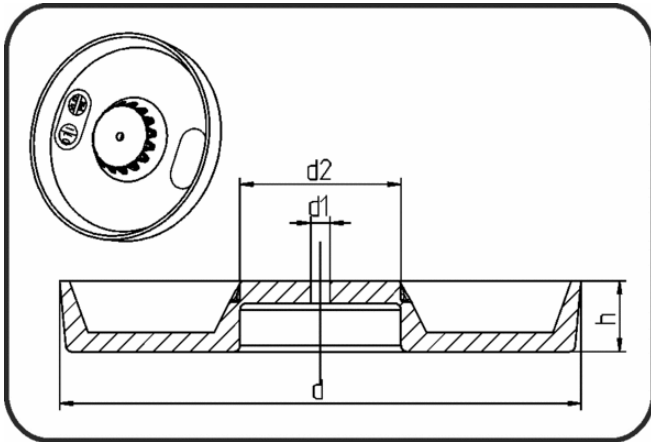


Accessories



Code: 041

- **Disc**
- Mounting accessory
- injection moulded
- **Hot-air-welding**
- **VLDPE black**

| Dimension | Code | Detail | d mm | d1 mm | d2 mm | h mm | Weight |
|-----------|----------------|---------|---------|----------|----------|---------|--------|
| 80 | 60.041.0010.00 | 80/32mm | 81 | 3 | 32 | 11 | 0.02 |