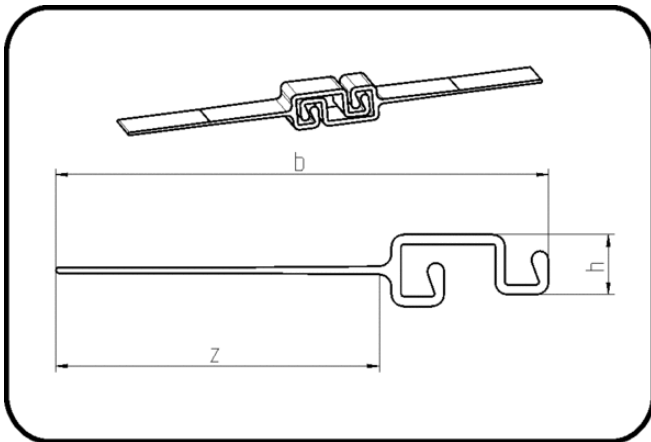


## AGRULOCK Profiles



Code: 590

- **AGRULOCK Profile Type C**
- length: project based rolled
- extruded
- **Hot-wedge-welding**
- **HDPE black**

Dimension	Code	Detail	z mm	h mm	b mm	Weight
191	27.590.0000.30	191/18	139	25	205,5	1.15