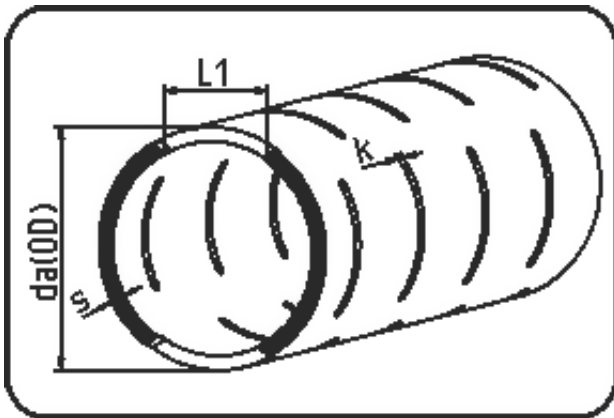


## Drainage Pipes



Code: 733

- Drainage Pipe 12m
- fully slotted
- extruded+slotted
- PE 100 black

Not available from stock - delivery time on request.

Dimension	Code	Detail	Weight
200	25.733.0200.17	200X11,9 SDR17 ISO S-8	7.12

	Unit	Nominale	Tol+	Tol-
da(OD)	mm	200	0.40	0.00
L1	mm	84	4.50	4.50
s	mm	11,9	0.70	0.00
K	mm	3/4/6/8/10	10.00	8.50