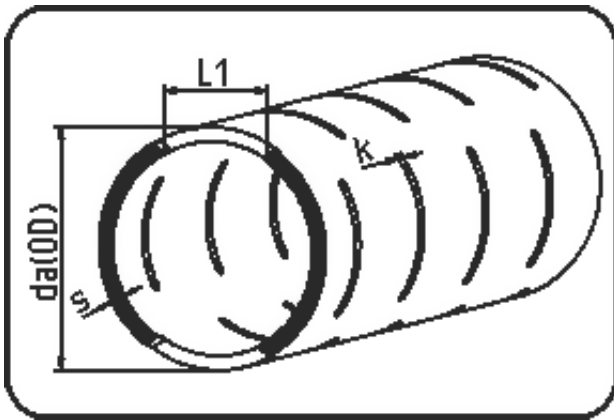


Drainage Pipes



Code: 733

- Drainage Pipe 12m
- fully slotted
- extruded+slotted
- PE 100 black

Not available from stock - delivery time on request.

| Dimension | Code | Detail | Weight |
|-----------|----------------|----------------------|--------|
| 75 | 25.733.0075.11 | 75X6,8 SDR11 ISO S-5 | 1.48 |

| | Unit | Nominale | Tol+ | Tol- |
|--------|------|------------|------|------|
| da(OD) | mm | 75 | 0.50 | 0.00 |
| L1 | mm | 46 | 4.50 | 4.50 |
| s | mm | 6,8 | 0.80 | 0.00 |
| K | mm | 3/4/6/8/10 | 8.00 | 6.50 |