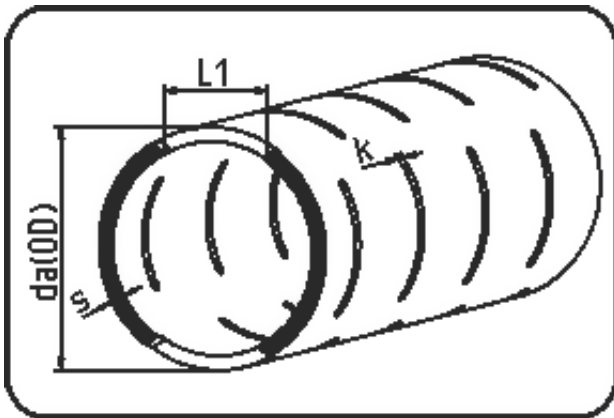


Drainage Pipes



Code: 733

- Drainage Pipe 12m
- fully slotted
- extruded+slotted
- PE 100 black

Not available from stock - delivery time on request.

Dimension	Code	Detail	Weight
355	25.733.0355.17	355X21,1 SDR17 ISO S-8	22.40

	Unit	Nominale	Tol+	Tol-
da(OD)	mm	355	0.40	0.00
L1	mm	88	4.50	4.50
s	mm	21,1	0.70	0.00
K	mm	4/6/8/10	10.00	10.00