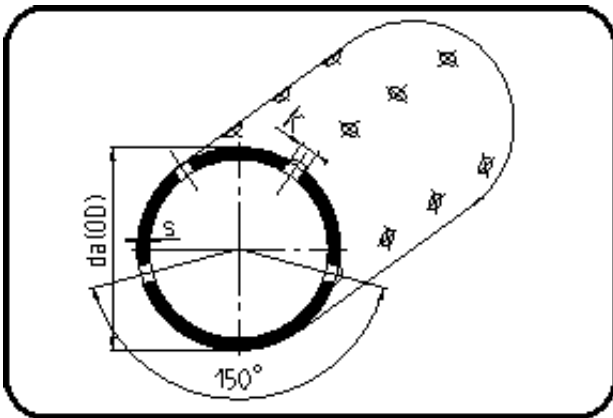


## Drainage Pipes



Code: 730

- Drainage Pipe 12m
- 2/3 perforated
- extruded+drilled
- PE 100 black

Not available from stock - delivery time on request.

Dimension	Code	Detail	Weight
315	25.730.0315.17	315X18,7 SDR17 ISO S-8	17.60

	Unit	Nominale	Tol+	Tol-
da(OD)	mm	315	1.90	0.00
L3	mm	72	3.00	3.00
L4	mm	142	50.00	0.00
s	mm	18,7	2.00	0.00
numb	pc	8	0.00	0.00
K	mm	15	15.75	14.25