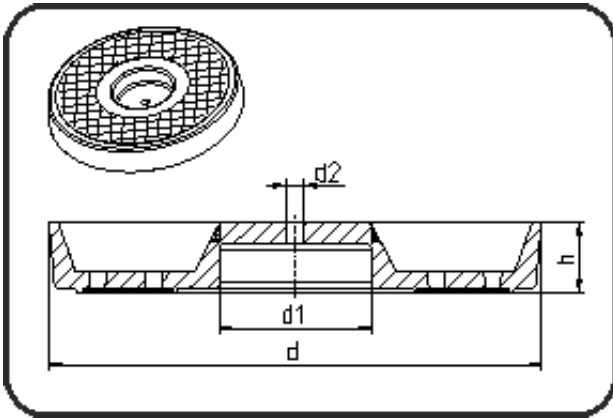


INDUKTOFIX



Code: 039.3

- Induktofix Disc
- Mounting accessory
- 3mm hole
- injection moulded
- **Induction welding**
- **VLDPE natural**

Dimension	Code	Detail	Weight
80	60.039.3080.32	80/32mm	0.02

	Unit	Nominale	Tol+	Tol-
d	mm	81	2.00	2.00
d1	mm	3	1.00	1.00
d2	mm	25	0.00	0.00
h	mm	11,5	1.00	1.00