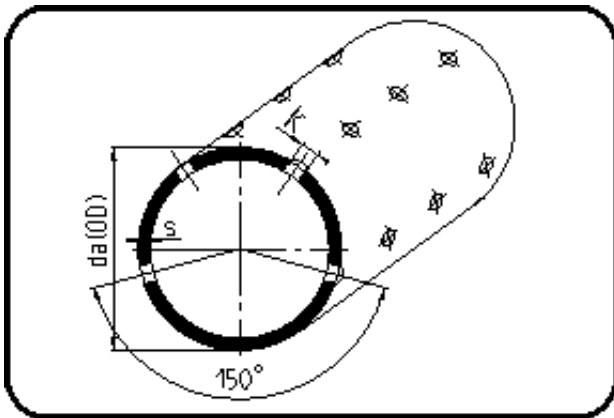


Drainage Pipes



Code: 730

- Drainage Pipe 12m
- 2/3 perforated
- extruded+drilled
- PE 100 black

Not available from stock - delivery time on request.

Dimension	Code	Detail	Weight
250	25.730.0250.11	250X22,7 SDR11 ISO S-5	16.30

	Unit	Nominale	Tol+	Tol-
da(OD)	mm	250	1.50	0.00
L3	mm	58	3.00	3.00
L4	mm	142	50.00	0.00
s	mm	22,7	2.40	0.00
numb	pc	8	0.00	0.00
K	mm	12	12.75	11.25