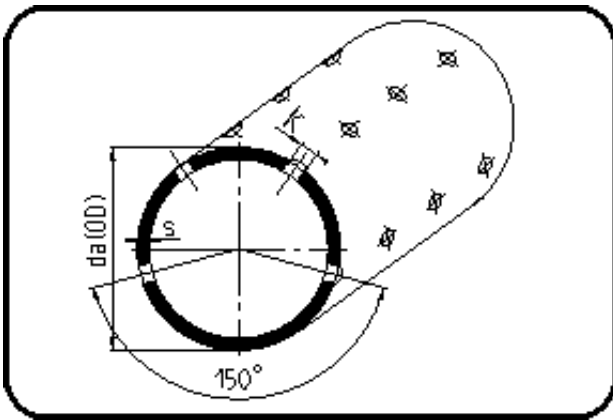


Drainage Pipes



Code: 730

- Drainage Pipe 12m
- 2/3 perforated
- extruded+drilled
- PE 100 black

Not available from stock - delivery time on request.

Dimension	Code	Detail	Weight
225	25.730.0225.07	225X30,8 SDR7,4 ISO S-3,2	18.80

	Unit	Nominale	Tol+	Tol-
da(OD)	mm	225	1.20	0.00
L3	mm	65	3.00	3.00
L4	mm	128	50.00	0.00
s	mm	30,8	1.30	0.00
numb	pc	8	0.00	0.00
K	mm	12	12.75	11.25