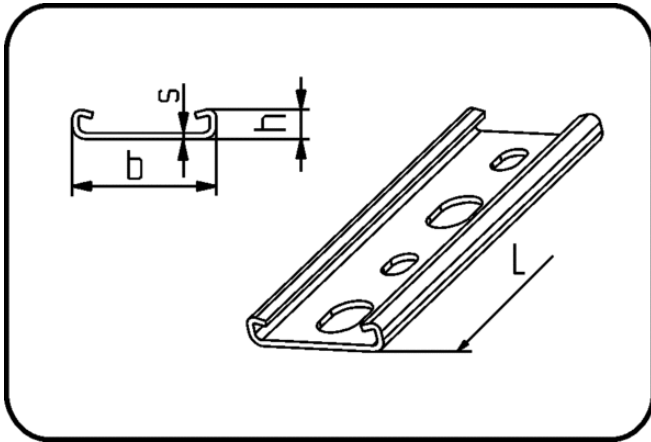


## Accessories, Welding-Rod



Code: 352

- Mounting bar C34/7/1.5
- S250Z275NA acc. to EN10147 SVZ

Dimension	Code	Detail	s mm	L mm	h mm	b mm	Weight
34X7	90.352.3407.15	34mmX7mmX1,5mm L=3m	1,5	3.000	7	34	0.51