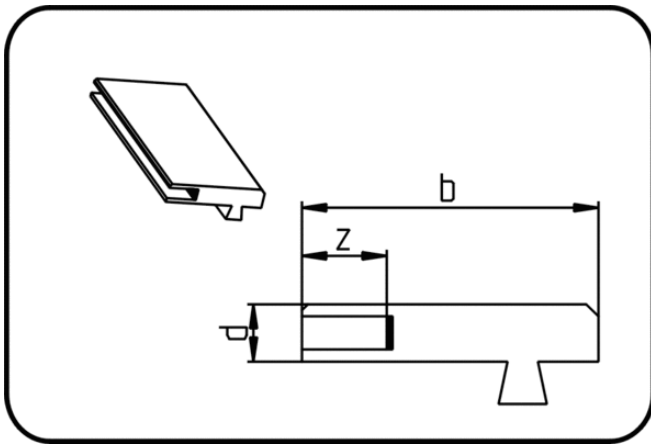


Profiles, Concrete anchors



Code: 575

- End Profile
- for concrete protective liner
- PPB black

Dimension	Code	Detail	z mm	L mm	d mm	b mm	thick mm	Weight
3,5 - 5,0	14.575.0000.50	3,5 - 5,0mm 5m	15	5.000	9,5	49	3,5	0.30