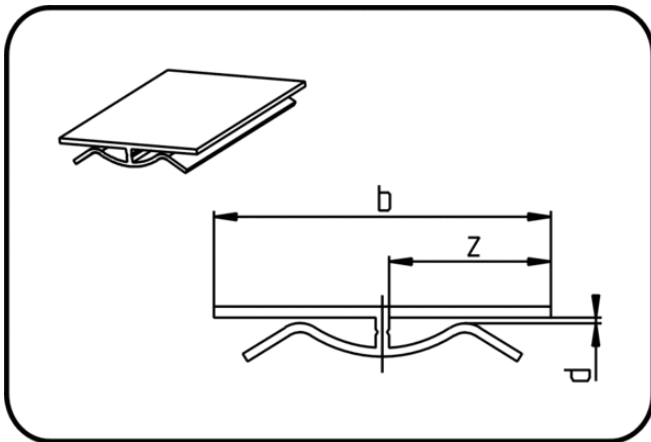


## Profiles, Concrete anchors



Code: 571

- **Tear Off Profile**
- for concrete protective liner
- electrically conductive
- extruded
- **Installation Accessory**
- **PE 100-el black**

Dimension	Code	Detail	z mm	L mm	d mm	b mm	Weight
2,0 - 5,0	28.571.0000.50	2,0 - 5,0mm 5m	24,5	5.000	4,6	52	0.16