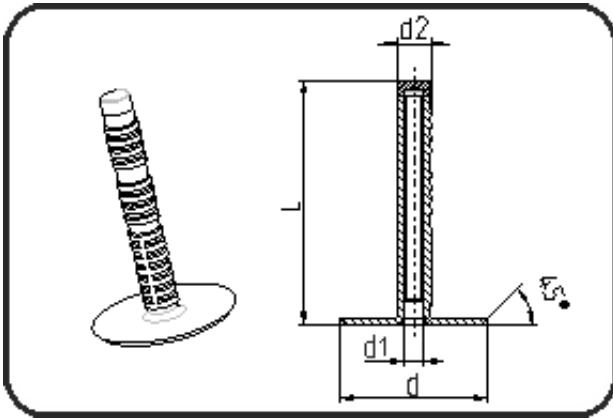


## Hydroclick



Code: 582

- Concrete anchor
- Mounting accessory
- injection moulded
- PE 80 blue RAL5012

Dimension	Code	Detail	Weight
150mm M16	86.582.0150.16	150mm M16	0.10

	Unit	Nominale	Tol+	Tol-
L	mm	150	7.50	7.50
d	mm	120	3.00	3.00
d1	mm	16	0.00	0.00
d2	mm	25	0.00	0.00