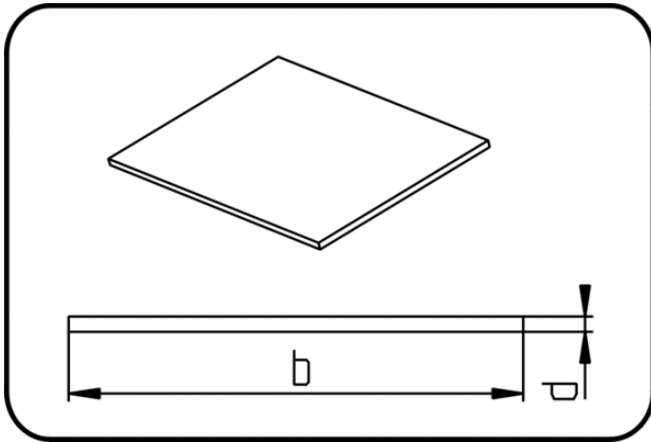


Profiles, Concrete anchors



Code: 578

- **Cover Strip**
- for concrete protective liner
- 1 year UV stabilized
- extruded
- **Installation Accessory**
- **PE agate grey RAL7038**

Dimension	Code	Detail	thick mm	Weight
3	56.578.0110.30	100mX110mmX3mm	3	0.35
3	56.578.0160.30	100mX160mmX3mm	3	0.50