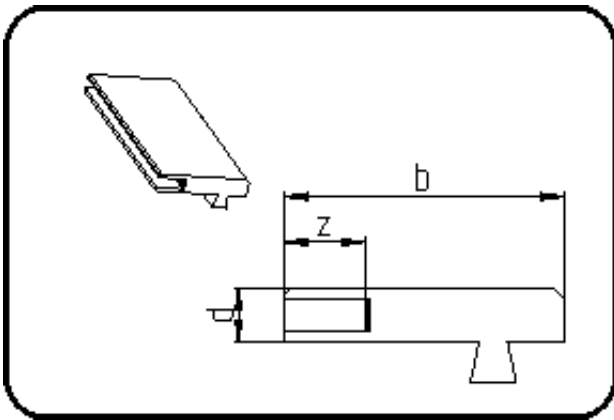


Profiles, Concrete anchors



Code: 575

- End Profile
- for concrete protective liner
- co-extruded
- **Installation Accessory**
- **PE black**

Dimension	Code	Detail	Weight
2,5 - 3,0	27.575.0000.30	2,5 - 3,0mm 5m	0.24

	Unit	Nominale	Tol+	Tol-
L	mm	5.000	0.00	0.00
b	mm	48	3.00	3.00
d	mm	8	0.75	0.75
thick	mm	2,5	0.00	0.00
z	mm	15	1.50	1.50