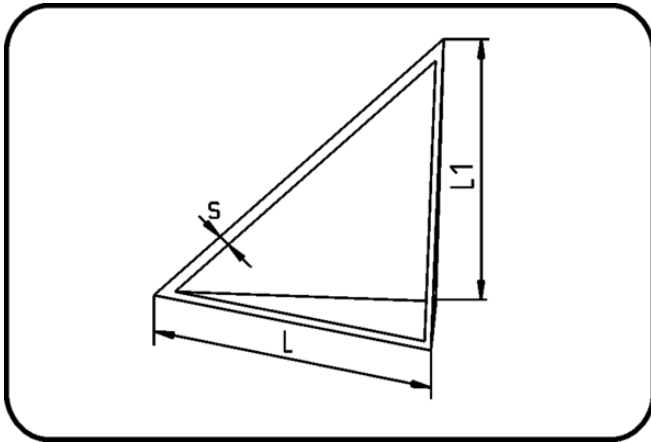


Profiles, Concrete anchors



Code: 040

- **Corner**
- for concrete protective liner
- injection moulded
- **Installation Accessory**
- **PPR grey**

Dimension	Code	Detail	s mm	L mm	L1 mm	Weight
	11.040.0000.00		3	112	77	0.02