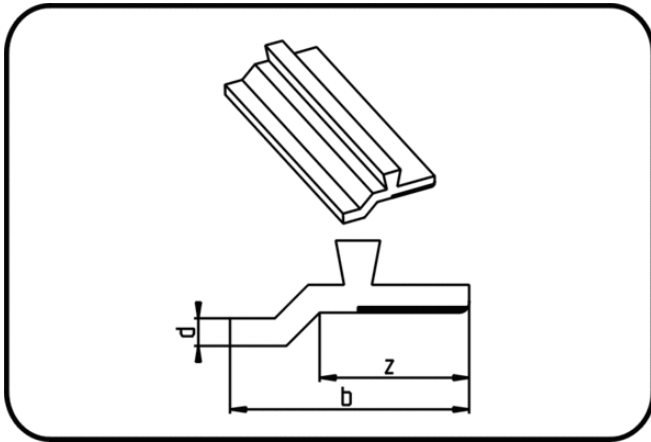


Profiles, Concrete anchors



Code: 576

- **Connection Profile short**
- for concrete protective liner
- co-extruded
- **Installation Accessory**
- **HDPE yellow**

Dimension	Code	Detail	z mm	L mm	b mm	thick mm	Weight
3,0	21.576.0000.30	3,0 5m	27	5.000	42	3	0.15