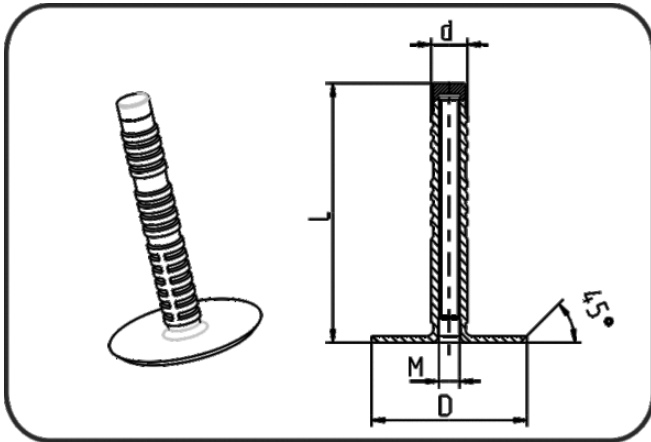


## Profiles, Concrete anchors



Code: 582

- Concrete anchor
- Mounting accessory
- injection moulded
- PPR grey

Dimension	Code	Detail	d mm	d1 mm	d2 mm	L mm	Weight
200mm M16	11.582.0200.16	200mm M16	120	16	25	200	0.12
150mm M12	11.582.0150.12	150mm M12	120	12	25	150	0.11