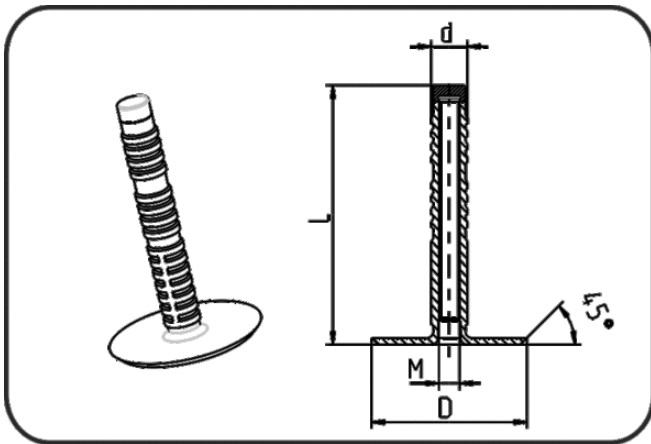


Hydroclick



Code: 582

- Concrete anchor
- Mounting accessory
- injection moulded
- PE 80 blue RAL5012

Dimension	Code	Detail	d mm	d1 mm	d2 mm	L mm	Weight
200mm M16	86.582.0200.16	200mm M16	120	16	25	200	0.12
150mm M16	86.582.0150.16	150mm M16	120	16	25	150	0.10
200mm M12	86.582.0200.12	200mm M12	120	12	25	200	0.14
150mm M12	86.582.0150.12	150mm M12	120	12	25	150	0.11