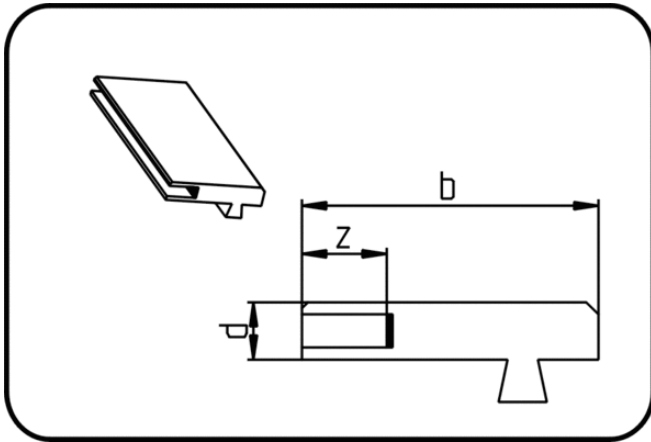


Profiles, Concrete anchors



Code: 575

- End Profile
- for concrete protective liner
- co-extruded
- Installation Accessory
- PE black

Dimension	Code	Detail	z mm	L mm	d mm	b mm	thick mm	Weight
2,5 - 3,0	27.575.0000.30	2,5 - 3,0mm 5m	15	5.000	8	48	2,5	0.24
3,5 - 5,0	27.575.0000.50	3,5 - 5,0mm 5m	15	5.000	9,5	49	3,5	0.31