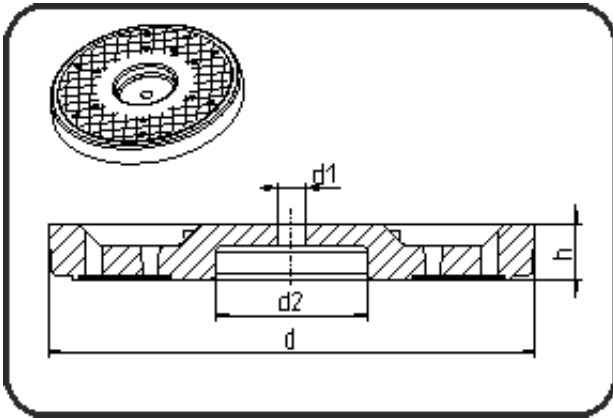


## Discs



Code: 039.5

- Hydroclick Induktofix Disc
- Mounting accessory
- 4.5mm hole
- injection moulded
- **Induction welding**
- **PE 80 blue RAL5012**

| Dimension | Code           | Detail | Weight |
|-----------|----------------|--------|--------|
| 80        | 86.039.5080.25 | 80/25  | 0.03   |

|    | Unit | Nominale | Tol+ | Tol- |
|----|------|----------|------|------|
| d  | mm   | 80       | 3.00 | 3.00 |
| d1 | mm   | 4,5      | 0.75 | 0.00 |
| d2 | mm   | 25       | 0.00 | 0.00 |
| h  | mm   | 9        | 0.75 | 0.75 |