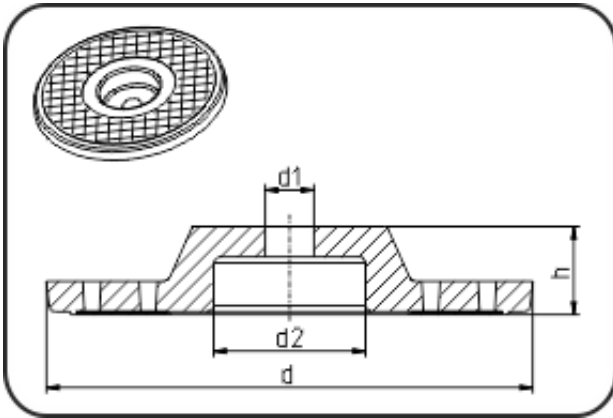


## Discs



Code: 039.4

- **CPL Induktofix Disc**
- Mounting accessory
- 70/40 large grid
- injection moulded
- **Induction welding**
- **HDPE black**

Dimension	Code	Detail	Weight
80	27.039.4070.40	80/32	0.03

	Unit	Nominale	Tol+	Tol-
d	mm	80	2.00	2.00
d1	mm	8	0.50	0.00
d2	mm	25	0.00	0.00
h	mm	14,5	0.50	0.50