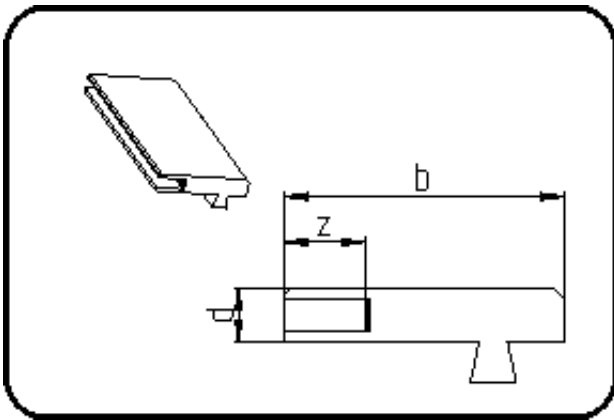


Profiles, Concrete anchors



Code: 575

- End Profile
- for concrete protective liner
- co-extruded
- **Installation Accessory**
- **PE black**

Dimension	Code	Detail	Weight
3,5 - 5,0	27.575.0000.50	3,5 - 5,0mm 5m	0.31

	Unit	Nominale	Tol+	Tol-
L	mm	5.000	0.00	0.00
b	mm	49	3.00	3.00
d	mm	9,5	1.50	0.75
thick	mm	3,5	0.00	0.00
z	mm	15	1.50	1.50