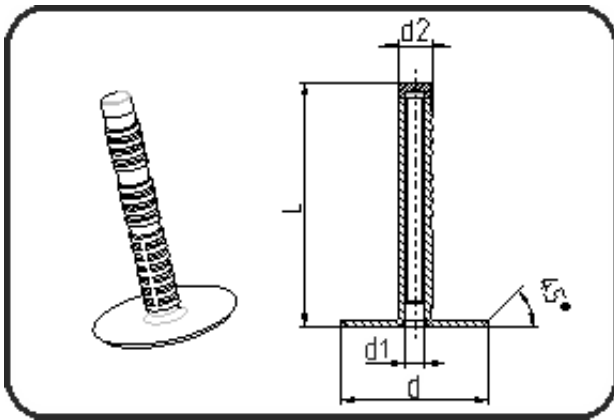


## Profiles, Concrete anchors



Code: 582

- Concrete anchor
- Mounting accessory
- injection moulded
- PPR grey

Dimension	Code	Detail	Weight
200mm M16	11.582.0200.16	200mm M16	0.12

	Unit	Nominale	Tol+	Tol-
L	mm	200	7.50	7.50
d	mm	120	3.00	3.00
d1	mm	16	0.00	0.00
d2	mm	25	0.00	0.00