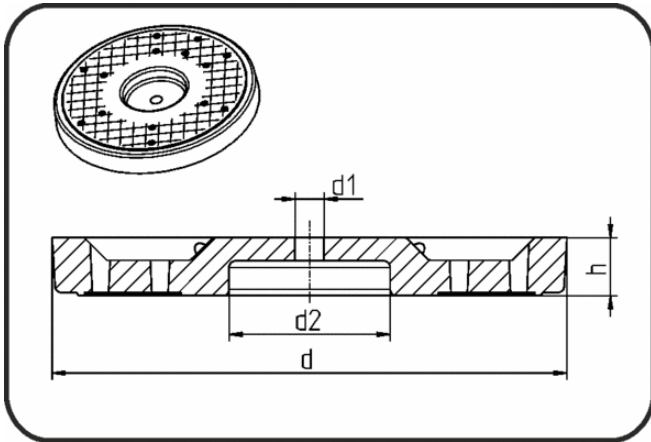


Discs



Code: 039.5

- Hydroclick Induktofix Disc
- Mounting accessory
- 4.5mm hole
- injection moulded
- **Induction welding**
- **PE 80 blue RAL5012**

Dimension	Code	Detail	d mm	d1 mm	d2 mm	h mm	Weight
80	86.039.5080.25	80/25	80	4,5	25	9	0.03