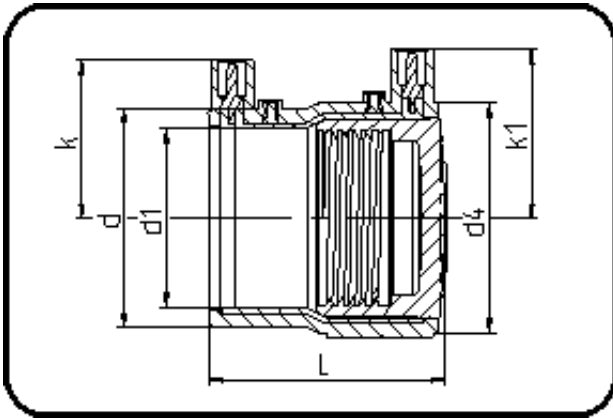


Saddles



Code: 277

- E-Screw Cap
- for Tapping Saddle
- injection moulded
- **Electro-fusion**
- **PE 100-RC black**

Dimension	Code	Detail	Weight
90-315	70.277.9031.11	90-315 SDR11 ISO S-5	0.20

	Unit	Nominale	Tol+	Tol-
L	mm	83	1.50	1.50
k1	mm	60	0.00	0.00
d	mm	78	0.75	0.75
d1	mm	64	0.45	0.45
d4	mm	82,6	0.75	0.75
k	mm	56	0.00	0.00