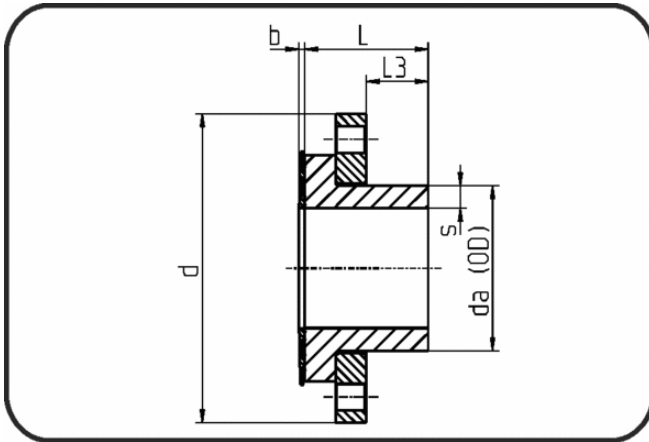


## Fittings with short Spigot



Code: 292.0

- High pressure flange DIN PN20
- incl. sealing + backing ring and centerring
- drilled PN25
- **Butt-welding**
- **PE 100-RC black**

Dimension	Code	Detail	da(OD) mm	s mm	L mm	L3 mm	b mm	d mm	Weight
63	70.292.0063.09	63X7,1 SDR9 ISO S-4	63	7,1	100	63	3	165	2.82
75	70.292.0075.09	75X8,4 SDR9 ISO S-4	75	8,4	105	63	4	185	3.91
90	70.292.0090.09	90X10,1 SDR9 ISO S-4	90	10,1	105	60	4	200	4.81
110	70.292.0110.09	110X12,3 SDR9 ISO S-4	110	12,3	110	62	4	235	6.75
125	70.292.0125.09	125X14,0 SDR9 ISO S-4	125	14	120	64	4	235	6.48
140	70.292.0140.09	140X15,7 SDR9 ISO S-4	140	15,7	120	62	5	270	9.10
160	70.292.0160.09	160X17,9 SDR9 ISO S-4	160	17,9	120	60	5	300	12.40
180	70.292.0180.09	180X20,1 SDR9 ISO S-4	180	20,1	120	60	5	300	10.84
200	70.292.0200.09	200X22,4 SDR9 ISO S-4	200	22,4	135	64	6	360	18.80
225	70.292.0225.09	225X25,2 SDR9 ISO S-4	225	25,2	135	64	6	360	16.52
250	70.292.0250.09	250X27,9 SDR9 ISO S-4	250	27,9	145	60	6	425	27.38
280	70.292.0280.09	280X31,3 SDR9 ISO S-4	280	31,3	145	60	6	425	24.00
315	70.292.0315.09	315X35,2 SDR9 ISO S-4	315	35,2	195	100	6	485	36.21
355	70.292.0355.09	355X39,7 SDR9 ISO S-4	355	39,7	205	100	6	555	53.38
400	70.292.0400.09	400X44,7 SDR9 ISO S-4	400	44,7	220	102	6	620	74.89
450	70.292.0450.09	450X50,3 SDR9 ISO S-4	450	50,3	245	104	6	730	134.12
500	70.292.0500.09	500X55,8 SDR9 ISO S-4	500	55,8	245	101	7	730	118.55
560	70.292.0560.09	560X62,5 SDR9 ISO S-4	560	62,5	260	102	7	845	191.00
630	70.292.0630.09	630X70 SDR9 ISO S-4	630	70,3	258	100	7	845	157.00