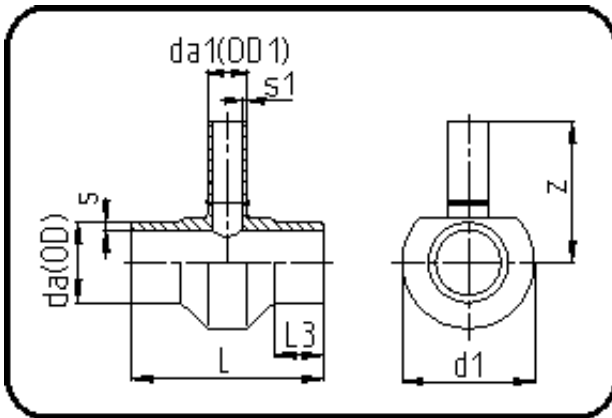


Fittings with short Spigot



Code: 307

- Tee reduced
- short spigot
- machined
- **Butt-welding**
- PE 100-RC black

| Dimension | Code | Detail | Weight |
|-----------|----------------|----------------------|--------|
| 280/200 | 70.307.2820.09 | 280/200 SDR9 ISO S-4 | 28.00 |

| | Unit | Nominale | Tol+ | Tol- |
|---------|------|----------|------|------|
| da(OD) | mm | 280 | 2.60 | 0.00 |
| L | mm | 350 | 2.00 | 2.00 |
| L3 | mm | 50 | 1.00 | 1.00 |
| s | mm | 31,3 | 3.30 | 0.00 |
| d1 | mm | 386 | 1.00 | 1.00 |
| s1 | mm | 22,4 | 2.40 | 0.00 |
| da(OD1) | mm | 200 | 1.80 | 0.00 |
| z | mm | 315 | 4.50 | 4.50 |