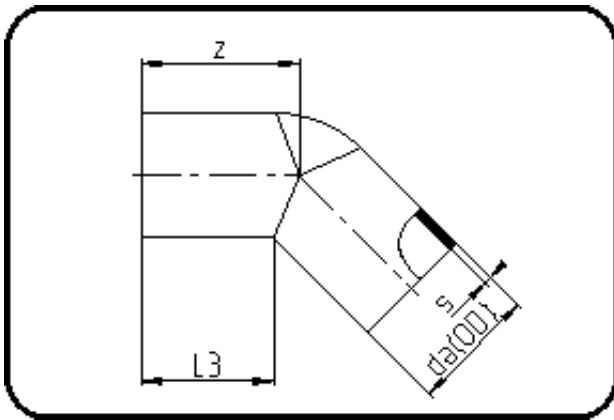


Elongated Fittings



Code: 060

- **Elbow 45°**
- long spigot
- W/P-TW
- injection moulded
- **Butt + E-socket-welding**
- **PE 100-RC black**

Dimension	Code	Detail	Weight
180	70.060.0180.17	180X10,7 SDR17 PN10	1.92

	Unit	Nominale	Tol+	Tol-
da(OD)	mm	180	1.10	0.00
L3	mm	127	2.25	2.25
s	mm	10,7	1.20	0.00
z	mm	172	2.25	2.25