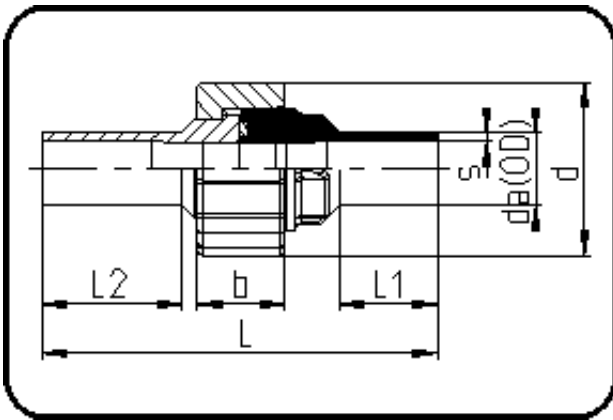


Fittings with short Spigot



Code: 024

- Union Type 24
- FPM-sealing
- with PVDF nut
- injection moulded
- **Butt-welding**
- **PE 100-RC black**

Dim. 75 and 90 with PVDF-Union nut.

Dimension	Code	Detail	Weight
90	70.024.0190.11	90 SDR11 ISO S-5	0.65

	Unit	Nominale	Tol+	Tol-
da(OD)	mm	90	0.00	0.00
L	mm	133	4.50	4.50
L1	mm	35,5	1.50	1.50
L2	mm	57	1.50	1.50
b	mm	40	1.50	1.50
s	mm	8,2	0.00	0.00
d	mm	130	1.50	1.50