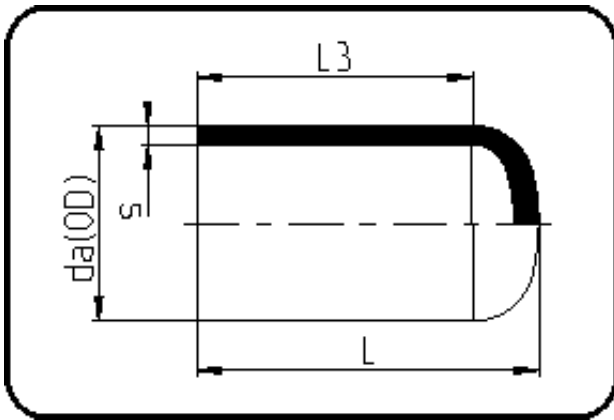


## Elongated Fittings



Code: 064

- End Cap
- long spigot
- W/P-TW
- injection moulded+chamfered
- **Butt + E-socket-welding**
- PE 100-RC black

Dimension	Code	Detail	Weight
160	70.064.0160.09	160X17,9 SDR9 PN20	1.38

	Unit	Nominale	Tol+	Tol-
da(OD)	mm	160	1.00	0.00
L	mm	146	2.25	2.25
L3	mm	103,5	2.25	2.25
s	mm	17,9	1.90	0.00