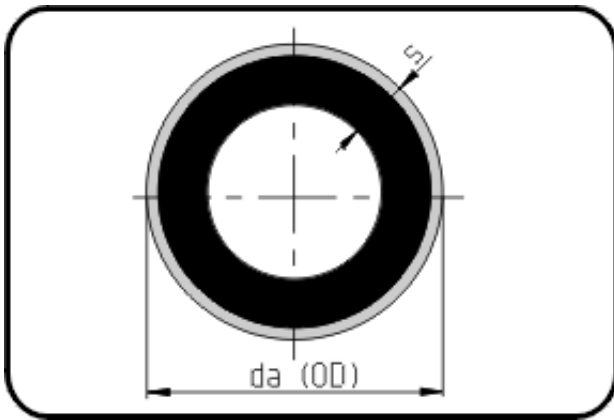


SURELINE II Pipes



Code: 712.2

- Pipe black 12m
- with green signal layer
- extruded
- PE 100-RC SURELINE II

From dim. 250 not available from stock - delivery time on request.

Dimension	Code	Detail	Weight
110	70.712.2110.11	110X10,0 SDR11 ISO S-5	3.18

	Unit	Nominale	Tol+	Tol-
da(OD)	mm	110	0.70	0.00
s	mm	10	1.10	0.00