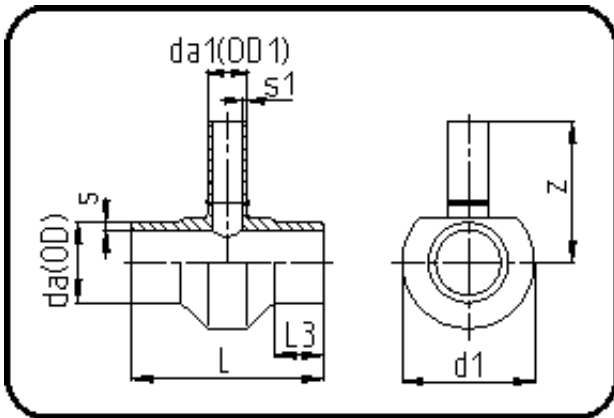


Fittings with short Spigot



Code: 307

- Tee reduced
- short spigot
- machined
- **Butt-welding**
- PE 100-RC black

Dimension	Code	Detail	Weight
125/90	70.307.1290.07	125/90 SDR7,4 ISO S-3,2	3.60

	Unit	Nominale	Tol+	Tol-
da(OD)	mm	125	1.20	0.00
L	mm	240	3.00	3.00
L3	mm	50	1.50	1.50
s	mm	17,1	1.90	0.00
d1	mm	197	1.50	1.50
s1	mm	12,3	1.40	0.00
da(OD1)	mm	90	0.90	0.00
z	mm	187,5	15.00	15.00