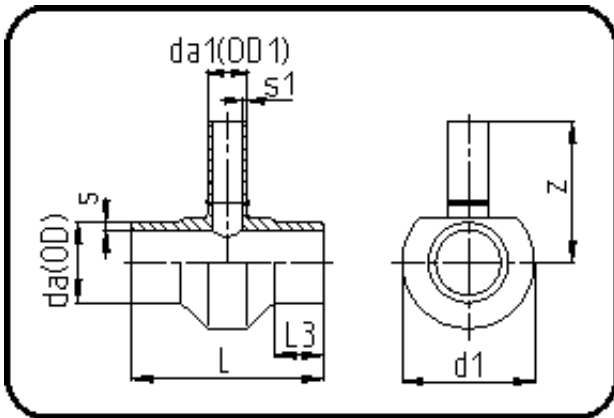


Fittings with short Spigot



Code: 307

- Tee reduced
- short spigot
- machined
- **Butt-welding**
- **PE 100-RC black**

| Dimension | Code | Detail | Weight |
|-----------|----------------|---------------------|--------|
| 200/63 | 70.307.2063.09 | 200/63 SDR9 ISO S-4 | 4.38 |

| | Unit | Nominale | Tol+ | Tol- |
|---------|------|----------|-------|-------|
| da(OD) | mm | 200 | 1.80 | 0.00 |
| L | mm | 213 | 3.00 | 3.00 |
| L3 | mm | 50 | 1.50 | 1.50 |
| s | mm | 22,4 | 2.40 | 0.00 |
| d1 | mm | 258 | 1.50 | 1.50 |
| s1 | mm | 7,1 | 0.90 | 0.00 |
| da(OD1) | mm | 63 | 0.60 | 0.00 |
| z | mm | 225 | 15.00 | 15.00 |