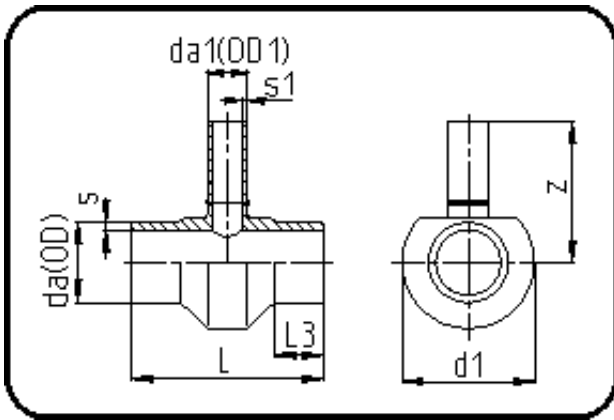


## Fittings with short Spigot



Code: 307

- Tee reduced
- short spigot
- machined
- **Butt-welding**
- PE 100-RC black

Dimension	Code	Detail	Weight
315/140	70.307.3114.09	315/140 SDR9 ISO S-4	29.00

	Unit	Nominale	Tol+	Tol-
da(OD)	mm	315	2.90	0.00
L	mm	290	2.00	2.00
L3	mm	50	1.00	1.00
s	mm	35,2	3.70	0.00
d1	mm	391	1.00	1.00
s1	mm	15,7	1.70	0.00
da(OD1)	mm	140	1.30	0.00
z	mm	282,5	3.00	3.00