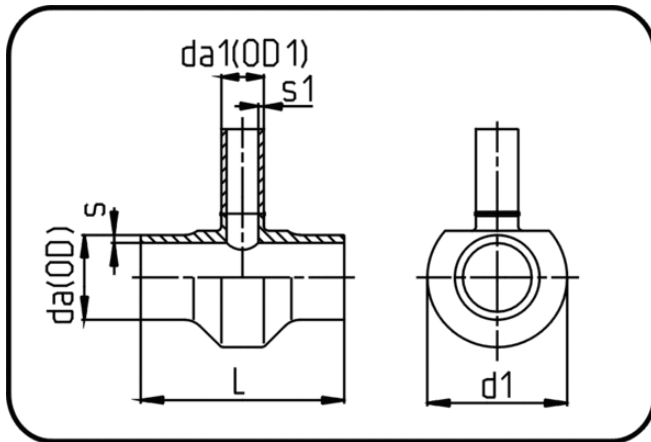


Fittings with short Spigot



Code: 307

- Tee reduced
- short spigot
- machined
- **Butt-welding**
- **PE 100-RC black**

Dimension	Code	Detail	da(OD) mm	da(OD1) mm	s mm	s1 mm	d1 mm	L mm	Weight
90/63	70.307.9063.09	90/63 SDR9 ISO S-4	90	63	10,1	7,1	154	213	1.50
90/75	70.307.9075.09	90/75 SDR9 ISO S-4	90	75	10,1	8,4	159	225	1.60
110/63	70.307.1163.09	110/63 SDR9 ISO S-4	110	63	12,3	7,1	172	213	2.01
110/75	70.307.1175.09	110/75 SDR9 ISO S-4	110	75	12,3	8,4	177	225	2.20
110/90	70.307.1190.09	110/90 SDR9 ISO S-4	110	90	12,3	10,1	184	240	2.30
125/63	70.307.1263.09	125/63 SDR9 ISO S-4	125	63	14	7,1	186	213	2.80
125/75	70.307.1275.09	125/75 SDR9 ISO S-4	125	75	14	8,4	191	225	2.80
125/90	70.307.1290.09	125/90 SDR9 ISO S-4	125	90	14	10,1	197	240	3.00
140/63	70.307.1463.09	140/63 SDR9 ISO S-4	140	63	15,7	7,1	201	213	3.50
140/75	70.307.1475.09	140/75 SDR9 ISO S-4	140	75	15,7	8,4	205	225	3.20
140/90	70.307.1490.09	140/90 SDR9 ISO S-4	140	90	15,7	10,1	211	240	3.80
140/110	70.307.1411.09	140/110 SDR9 ISO S-4	140	110	15,7	12,3	220	260	4.10
140/125	70.307.1412.09	140/125 SDR9 ISO S-4	140	125	15,7	14	228	275	4.40
160/63	70.307.1663.09	160/63 SDR9 ISO S-4	160	63	17,9	7,1	220	213	5.00
160/75	70.307.1675.09	160/75 SDR9 ISO S-4	160	75	17,9	8,4	223	225	5.20
160/90	70.307.1690.09	160/90 SDR9 ISO S-4	160	90	17,9	10,1	229	240	4.00
160/110	70.307.1611.09	160/110 SDR9 ISO S-4	160	110	17,9	12,3	238	260	4.72
160/125	70.307.1612.09	160/125 SDR9 ISO S-4	160	125	17,9	14	245	275	5.80
180/63	70.307.1863.09	180/63 SDR9 ISO S-4	180	63	20,1	7,1	239	213	6.40
180/75	70.307.1875.09	180/75 SDR9 ISO S-4	180	75	20,1	8,4	242	225	4.50
180/90	70.307.1890.09	180/90 SDR9 ISO S-4	180	90	20,1	10,1	247	240	7.00
180/110	70.307.1811.09	180/110 SDR9 ISO S-4	180	110	20,1	12,3	255	260	7.70
180/125	70.307.1812.09	180/125 SDR9 ISO S-4	180	125	20,1	14	262	275	8.00
200/63	70.307.2063.09	200/63 SDR9 ISO S-4	200	63	22,4	7,1	258	213	4.38
200/75	70.307.2075.09	200/75 SDR9 ISO S-4	200	75	22,4	8,4	262	225	6.80
200/90	70.307.2090.09	200/90 SDR9 ISO S-4	200	90	22,4	10,1	266	240	5.40
200/110	70.307.2011.09	200/110 SDR9 ISO S-4	200	110	22,4	12,3	274	260	6.12
200/125	70.307.2012.09	200/125 SDR9 ISO S-4	200	125	22,4	14	280	275	9.00

Dimension	Code	Detail	da(OD) mm	da(OD1) mm	s mm	s1 mm	d1 mm	L mm	Weight
200/140	70.307.2014.09	200/140 SDR9 ISO S-4	200	140	22,4	15,7	287	290	9.30
200/160	70.307.2016.09	200/160 SDR9 ISO S-4	200	160	22,4	17,9	297	310	9.20
225/63	70.307.2263.09	225/63 SDR9 ISO S-4	225	63	25,2	7,1	283	213	5.30
225/75	70.307.2275.09	225/75 SDR9 ISO S-4	225	75	25,2	8,4	286	225	8.90
225/90	70.307.2290.09	225/90 SDR9 ISO S-4	225	90	25,2	10,1	290	240	12.00
225/110	70.307.2211.09	225/110 SDR9 ISO S-4	225	110	25,2	12,3	297	260	13.00
225/125	70.307.2212.09	225/125 SDR9 ISO S-4	225	125	25,2	14	303	275	14.00
225/140	70.307.2214.09	225/140 SDR9 ISO S-4	225	140	25,2	15,7	309	290	13.50
225/160	70.307.2216.09	225/160 SDR9 ISO S-4	225	160	25,2	17,9	318	310	10.90
250/63	70.307.2563.09	250/63 SDR9 ISO S-4	250	63	27,9	7,1	307	213	15.00
250/75	70.307.2575.09	250/75 SDR9 ISO S-4	250	75	27,9	8,4	340	225	15.50
250/90	70.307.2590.09	250/90 SDR9 ISO S-4	250	90	27,9	10,1	314	240	16.00
250/110	70.307.2511.09	250/110 SDR9 ISO S-4	250	110	27,9	12,3	320	260	8.80
250/125	70.307.2512.09	250/125 SDR9 ISO S-4	250	125	27,9	14	325	275	17.00
250/140	70.307.2514.09	250/140 SDR9 ISO S-4	250	140	27,9	15,7	332	290	18.00
250/160	70.307.2516.09	250/160 SDR9 ISO S-4	250	160	27,9	17,9	340	310	12.20
250/180	70.307.2518.09	250/180 SDR9 ISO S-4	250	180	27,9	20,1	350	330	20.00
250/200	70.307.2520.09	250/200 SDR9 ISO S-4	250	200	27,9	22,4	362	350	28.90
280/63	70.307.2863.09	280/63 SDR9 ISO S-4	280	63	31,3	7,1	336	213	18.00
280/75	70.307.2875.09	280/75 SDR9 ISO S-4	280	75	31,3	8,4	339	225	19.00
280/90	70.307.2890.09	280/90 SDR9 ISO S-4	280	90	31,3	10,1	343	240	19.00
280/110	70.307.2811.09	280/110 SDR9 ISO S-4	280	110	31,3	12,3	348	260	20.00
280/125	70.307.2812.09	280/125 SDR9 ISO S-4	280	125	31,3	14	353	275	21.00
280/140	70.307.2814.09	280/140 SDR9 ISO S-4	280	140	31,3	15,7	359	290	23.00
280/160	70.307.2816.09	280/160 SDR9 ISO S-4	280	160	31,3	17,9	367	310	24.00
280/180	70.307.2818.09	280/180 SDR9 ISO S-4	280	180	31,3	20,1	376	330	25.00
280/200	70.307.2820.09	280/200 SDR9 ISO S-4	280	200	31,3	22,4	386	350	28.00
315/63	70.307.3163.09	315/63 SDR9 ISO S-4	315	63	35,2	7,1	371	213	22.00
315/75	70.307.3175.09	315/75 SDR9 ISO S-4	315	75	35,2	8,4	373	225	26.00
315/90	70.307.3190.09	315/90 SDR9 ISO S-4	315	90	35,2	10,1	376	240	23.00
315/110	70.307.3111.09	315/110 SDR9 ISO S-4	315	110	35,2	12,3	382	260	11.40
315/140	70.307.3114.09	315/140 SDR9 ISO S-4	315	140	35,2	15,7	391	290	29.00
315/160	70.307.3116.09	315/160 SDR9 ISO S-4	315	160	35,2	17,9	399	310	16.70
315/180	70.307.3118.09	315/180 SDR9 ISO S-4	315	180	35,2	20,1	407	330	25.70
315/200	70.307.3120.09	315/200 SDR9 ISO S-4	315	200	35,2	22,4	417	350	22.75
315/225	70.307.3122.09	315/225 SDR9 ISO S-4	315	225	35,2	25,2	429	375	25.00
355/63	70.307.3563.09	355/63 SDR9 ISO S-4	355	63	39,7	7,1	410	263	27.80
355/75	70.307.3575.09	355/75 SDR9 ISO S-4	355	75	39,7	8,4	412	275	30.00
355/90	70.307.3590.09	355/90 SDR9 ISO S-4	355	90	39,7	10,1	415	290	28.20
355/110	70.307.3511.09	355/110 SDR9 ISO S-4	355	110	39,7	12,3	420	310	17.33
355/140	70.307.3514.09	355/140 SDR9 ISO S-4	355	140	39,7	15,7	429	340	33.00
355/160	70.307.3516.09	355/160 SDR9 ISO S-4	355	160	39,7	17,9	436	360	22.80
355/180	70.307.3518.09	355/180 SDR9 ISO S-4	355	180	39,7	20,1	444	380	30.60
355/200	70.307.3520.09	355/200 SDR9 ISO S-4	355	200	39,7	22,4	452	400	28.60
355/225	70.307.3522.09	355/225 SDR9 ISO S-4	355	225	39,7	25,2	464	425	35.00
355/250	70.307.3525.09	355/250 SDR9 ISO S-4	355	250	39,7	27,9	476	450	36.00

Dimension	Code	Detail	da(OD) mm	da(OD1) mm	s mm	s1 mm	d1 mm	L mm	Weight
355/280	70.307.3528.09	355/280 SDR9 ISO S-4	355	280	39,7	31,3	495	480	38.10
355/315	70.307.3531.09	355/315 SDR9 ISO S-4	355	315	39,7	35,2	530	540	48.20
400/63	70.307.4063.09	400/63 SDR9 ISO S-4	400	63	44,7	7,1	455	263	33.50
400/75	70.307.4075.09	400/75 SDR9 ISO S-4	400	75	44,7	8,4	457	275	34.00
400/90	70.307.4090.09	400/90 SDR9 ISO S-4	400	90	44,7	10,1	459	290	17.80
400/110	70.307.4011.09	400/110 SDR9 ISO S-4	400	110	44,7	12,3	464	310	21.00
400/160	70.307.4016.09	400/160 SDR9 ISO S-4	400	160	44,7	17,9	478	360	26.30
400/180	70.307.4018.09	400/180 SDR9 ISO S-4	400	180	44,7	20,1	485	380	41.00
400/200	70.307.4020.09	400/200 SDR9 ISO S-4	400	200	44,7	22,4	493	400	32.25
400/225	70.307.4022.09	400/225 SDR9 ISO S-4	400	225	44,7	25,2	504	425	39.00
400/250	70.307.4025.09	400/250 SDR9 ISO S-4	400	250	44,7	27,9	515	450	38.70
400/280	70.307.4028.09	400/280 SDR9 ISO S-4	400	280	44,7	31,3	530	480	41.00
400/315	70.307.4031.09	400/315 SDR9 ISO S-4	400	315	44,7	35,2	550	515	52.00
450/63	70.307.4563.09	450/63 SDR9 ISO S-4	450	63	50,3	7,1	504	263	40.50
450/75	70.307.4575.09	450/75 SDR9 ISO S-4	450	75	50,3	8,4	506	275	37.00
450/90	70.307.4590.09	450/90 SDR9 ISO S-4	450	90	50,3	10,1	509	290	38.00
450/110	70.307.4511.09	450/110 SDR9 ISO S-4	450	110	50,3	12,3	512	310	25.70
450/125	70.307.4512.09	450/125 SDR9 ISO S-4	450	125	50,3	14	516	325	39.00
450/140	70.307.4514.09	450/140 SDR9 ISO S-4	450	140	50,3	15,7	520	340	40.00
450/160	70.307.4516.09	450/160 SDR9 ISO S-4	450	160	50,3	17,9	525	360	32.10
450/180	70.307.4518.09	450/180 SDR9 ISO S-4	450	180	50,3	20,1	532	380	42.70
450/200	70.307.4520.09	450/200 SDR9 ISO S-4	450	200	50,3	22,4	539	400	37.20
450/225	70.307.4522.09	450/225 SDR9 ISO S-4	450	225	50,3	25,2	549	425	42.00
450/250	70.307.4525.09	450/250 SDR9 ISO S-4	450	250	50,3	27,9	560	450	50.00
450/280	70.307.4528.09	450/280 SDR9 ISO S-4	450	280	50,3	31,3	574	480	43.00
450/315	70.307.4531.09	450/315 SDR9 ISO S-4	450	315	50,3	35,2	591	515	65.10
500/63	70.307.5063.09	500/63 SDR9 ISO S-4	500	63	55,8	7,1	554	293	42.70
500/75	70.307.5075.09	500/75 SDR9 ISO S-4	500	75	55,8	8,4	556	305	41.00
500/90	70.307.5090.09	500/90 SDR9 ISO S-4	500	90	55,8	10,1	558	320	42.00
500/110	70.307.5011.09	500/110 SDR9 ISO S-4	500	110	55,8	12,3	561	340	43.40
500/125	70.307.5012.09	500/125 SDR9 ISO S-4	500	125	55,8	14	565	355	43.00
500/140	70.307.5014.09	500/140 SDR9 ISO S-4	500	140	55,8	15,7	568	370	44.00
500/160	70.307.5016.09	500/160 SDR9 ISO S-4	500	160	55,8	17,9	573	390	44.00
500/180	70.307.5018.09	500/180 SDR9 ISO S-4	500	180	55,8	20,1	579	410	44.50
500/200	70.307.5020.09	500/200 SDR9 ISO S-4	500	200	55,8	22,4	595	430	44.70
500/225	70.307.5022.09	500/225 SDR9 ISO S-4	500	225	55,8	25,2	595	455	45.00
500/250	70.307.5025.09	500/250 SDR9 ISO S-4	500	250	55,8	27,9	605	480	46.00
500/280	70.307.5028.09	500/280 SDR9 ISO S-4	500	280	55,8	31,3	618	510	47.00
560/140	70.307.5614.09	560/140 SDR9 ISO S-4	560	140	62,5	15,7	626	490	50.00
560/160	70.307.5616.09	560/160 SDR9 ISO S-4	560	160	62,5	17,9	631	510	51.00
560/180	70.307.5618.09	560/180 SDR9 ISO S-4	560	180	62,5	20,1	637	530	52.00
560/200	70.307.5620.09	560/200 SDR9 ISO S-4	560	200	62,5	22,4	645	550	60.00
560/225	70.307.5622.09	560/225 SDR9 ISO S-4	560	225	62,5	25,2	651	575	64.50
560/250	70.307.5625.09	560/250 SDR9 ISO S-4	560	250	62,5	27,9	660	600	71.80
560/315	70.307.5631.09	560/315 SDR9 ISO S-4	560	315	62,5	35,2	687	665	78.00
630/90	70.307.6390.09	630/90 SDR9 ISO S-4	630	90	70,3	10,1	685	450	59.00

Dimension	Code	Detail	da(OD) mm	da(OD1) mm	s mm	s1 mm	d1 mm	L mm	Weight
630/110	70.307.6311.09	630/110 SDR9 ISO S-4	630	110	70,3	12,3	685	470	43.30
630/140	70.307.6314.09	630/140 SDR9 ISO S-4	630	140	70,3	15,7	695	490	48.40
630/160	70.307.6316.09	630/160 SDR9 ISO S-4	630	160	70,3	17,9	700	520	62.00
630/180	70.307.6318.09	630/180 SDR9 ISO S-4	630	180	70,3	20,1	704	530	64.10
630/200	70.307.6320.09	630/200 SDR9 ISO S-4	630	200	70,3	22,4	680	555	72.00
630/225	70.307.6322.09	630/225 SDR9 ISO S-4	630	225	70,3	25,2	700	590	77.10
630/280	70.307.6328.09	630/280 SDR9 ISO S-4	630	280	70,3	31,3	720	640	99.00
630/315	70.307.6331.09	630/315 SDR9 ISO S-4	630	315	70,3	35,2	750	665	110.40
630/355	70.307.6335.09	630/355 SDR9 ISO S-4	630	355	70,3	39,7	730	710	121.00
630/400	70.307.6340.09	630/400 SDR9 ISO S-4	630	400	70,3	44,7	745	760	136.00
630/500	70.307.6350.09	630/500 SDR9 ISO S-4	630	500	70,3	55,8	775	860	169.00