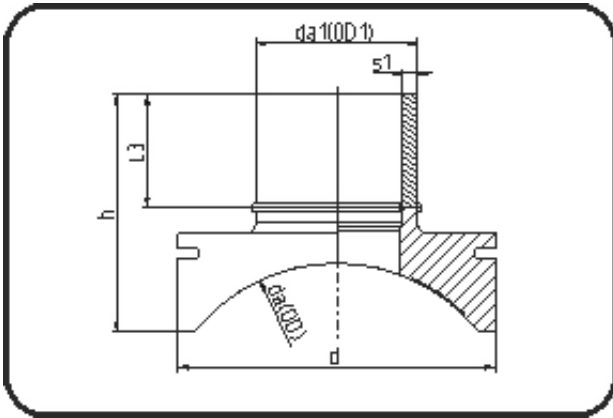


## Saddles



Code: 289

- **Spigot saddle System Topload**

- machined
- **Electro-fusion**
- **PE 100-RC black**

Other MOP on request. Installation Set please see Welding Technology.

Dimension	Code	Detail	Weight
500/125	70.289.5012.09	500/125 SDR9 MOP 16 bar	2.71

	Unit	Nominale	Tol+	Tol-
da(OD)	mm	500	0.00	0.00
L3	mm	102	10.00	0.00
d	mm	280	1.00	1.00
s1	mm	14	1.50	0.00
h	mm	195	10.00	0.00
da(OD1)	mm	125	0.80	0.00