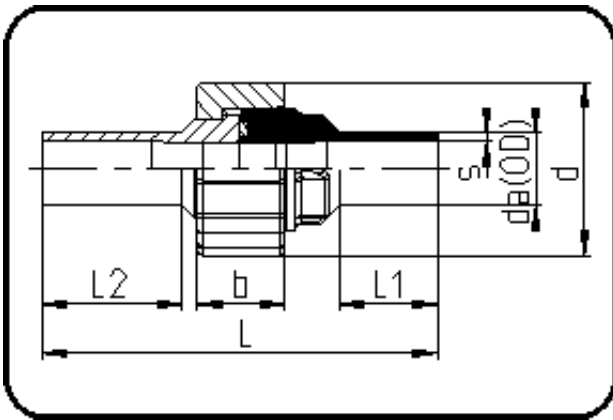


## Fittings with short Spigot



Code: 024

- Union Type 24
- FPM-sealing
- injection moulded
- **Butt-welding**
- PE 100-RC black

Dim. 75 and 90 with PVDF-Union nut.

Dimension	Code	Detail	Weight
50	70.024.0150.11	50 SDR11 ISO S-5	0.24

	Unit	Nominale	Tol+	Tol-
da(OD)	mm	50	0.00	0.00
L	mm	133	3.00	3.00
L1	mm	25	1.50	1.50
L2	mm	44	1.50	1.50
b	mm	35	0.75	0.75
s	mm	4,6	0.00	0.00
d	mm	89	1.50	1.50