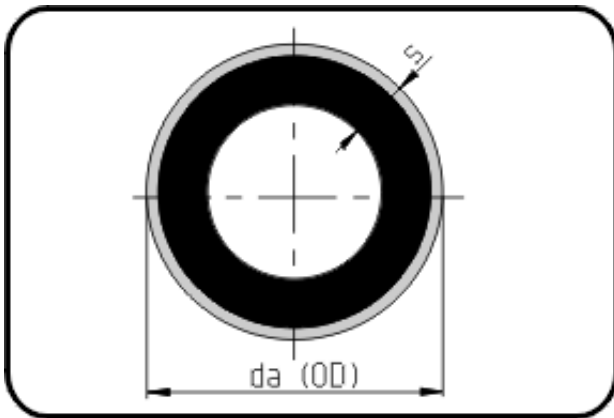


SURELINE II Pipes



Code: 712.2

- Pipe black 12m
- with green signal layer
- extruded
- PE 100-RC SURELINE II

From dim. 250 not available from stock - delivery time on request.

Dimension	Code	Detail	Weight
900	70.712.2900.11	900X81,7 SDR11 ISO S-5	211.00

	Unit	Nominale	Tol+	Tol-
da(OD)	mm	900	0.00	0.00
s	mm	81,7	0.00	0.00