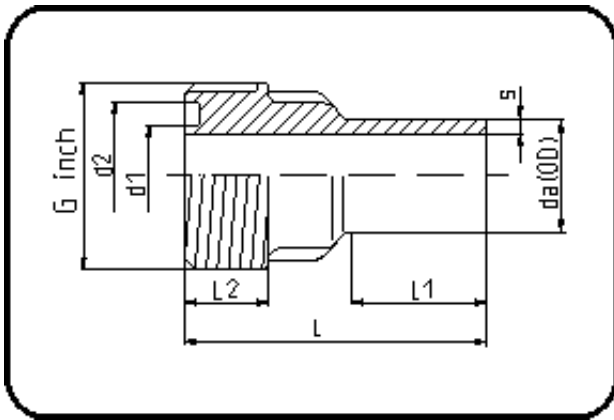


Fittings with short Spigot



Code: 024.3

- Union bush
- spare part Union 024
- injection moulded
- **Butt-welding**
- **PE 100-RC black**

Dimension	Code	Detail	Weight
75	70.024.3075.11	75X6,8 SDR11 ISO S-5	0.13

	Unit	Nominale	Tol+	Tol-
da(OD)	mm	75	0.70	0.00
L	mm	66	1.00	1.00
L1	mm	28	1.00	1.00
G	inch	S107,5X3,6	0.00	0.00
L2	mm	22	1.50	1.50
s	mm	6,8	0.80	0.00
d1	mm	70,6	0.15	0.15
d2	mm	81,6	0.15	0.15