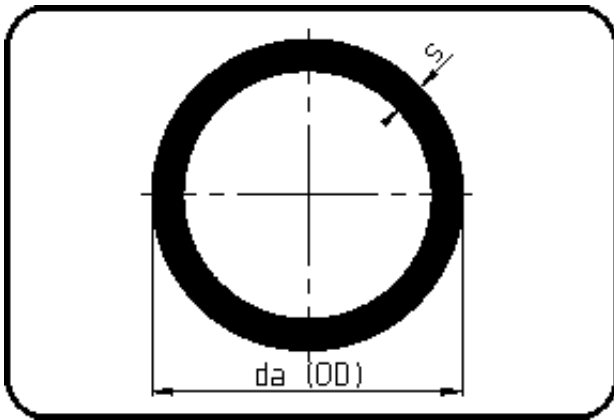


SURELINE I Pipes



Code: 706

- Pipe black 6m
- with blue stripes
- extruded
- PE 100-RC SURELINE I

Please request other stripe-colours individually.

Dimension	Code	Detail	Weight
110	70.706.0110.17	110X6,6 SDR17 ISO S-8	2.19

	Unit	Nominale	Tol+	Tol-
da(OD)	mm	110	0.70	0.00
s	mm	6,6	0.80	0.00