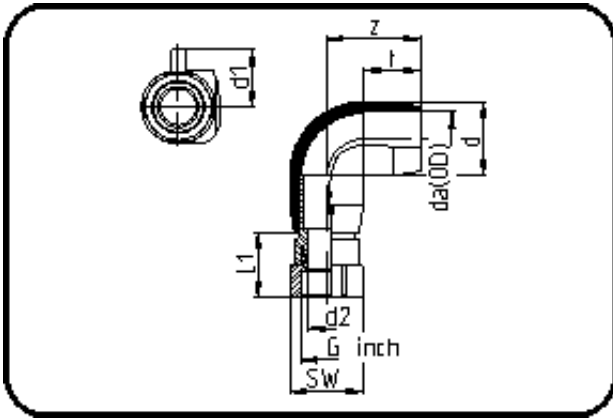


## Electro Fusion Fittings



Code: 187

- **E-Adaptor Elbow 90°**
- with brass-female thread
- W/P-TW
- injection moulded
- **Electro-fusion**
- **PE 100-RC black**

Dimension	Code	Detail	Weight
63 X 2	70.187.6363.11	63X2" SDR 17-11 PN16	1.16

	Unit	Nominale	Tol+	Tol-
da(OD)	mm	63	0.00	0.00
L1	mm	67	1.50	1.50
SW	mm	70	0.00	0.00
G	inch	2	0.00	0.00
d	mm	83	0.75	0.75
d1	mm	56	1.50	1.50
t	mm	63	0.00	0.90
E	mm	59,61	0.00	0.00
d2	mm	42	0.00	0.00
K	mm	56,66	0.00	0.00
z	mm	100	2.25	2.25