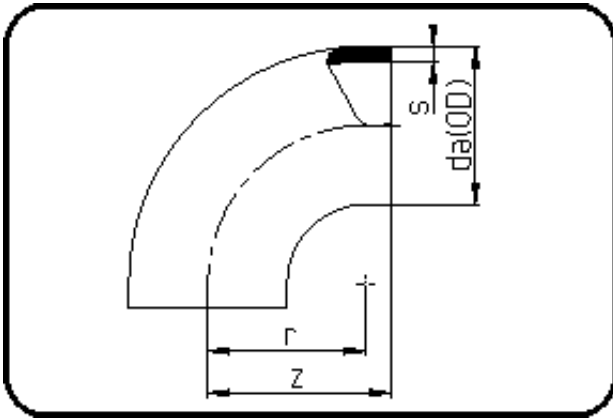


Fittings with short Spigot



Code: 001

- Bend 90°
- short spigot
- injection moulded
- **Butt-welding**
- PE 100-RC black

Dimension	Code	Detail	Weight
32	70.001.0032.11	32X3,0 SDR11 ISO S-5	0.02

	Unit	Nominale	Tol+	Tol-
da(OD)	mm	32	0.30	0.00
r	mm	32	0.00	0.00
s	mm	3	0.40	0.00
z	mm	43	3.00	3.00