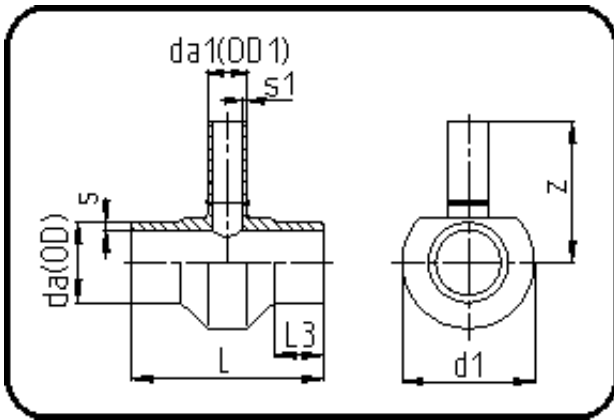


Fittings with short Spigot



Code: 307

- Tee reduced
- short spigot
- machined
- **Butt-welding**
- **PE 100-RC black**

Dimension	Code	Detail	Weight
450/125	70.307.4512.09	450/125 SDR9 ISO S-4	39.00

	Unit	Nominale	Tol+	Tol-
da(OD)	mm	450	4.10	0.00
L	mm	325	3.00	3.00
L3	mm	75	1.00	1.00
s	mm	50,3	5.20	0.00
d1	mm	516	1.00	1.00
s1	mm	14	1.50	0.00
da(OD1)	mm	125	1.20	0.00
z	mm	350	3.00	3.00