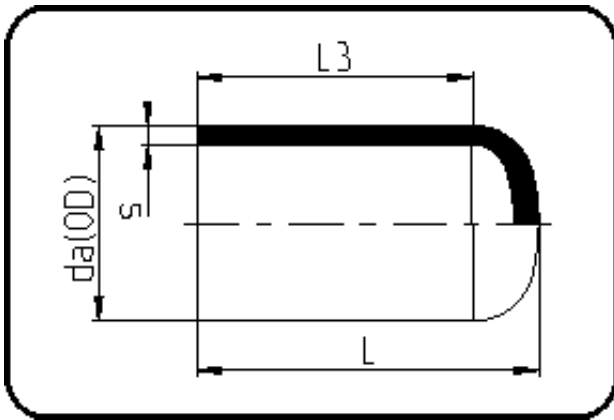


Elongated Fittings



Code: 064

- End Cap
- long spigot
- W/P-TW
- injection moulded+chamfered
- **Butt + E-socket-welding**
- PE 100-RC black

Dimension	Code	Detail	Weight
90	70.064.0090.09	90X10,1 SDR9 PN20	0.31

	Unit	Nominale	Tol+	Tol-
da(OD)	mm	90	0.60	0.00
L	mm	100	1.50	1.50
L3	mm	79	1.50	1.50
s	mm	10,1	1.20	0.00