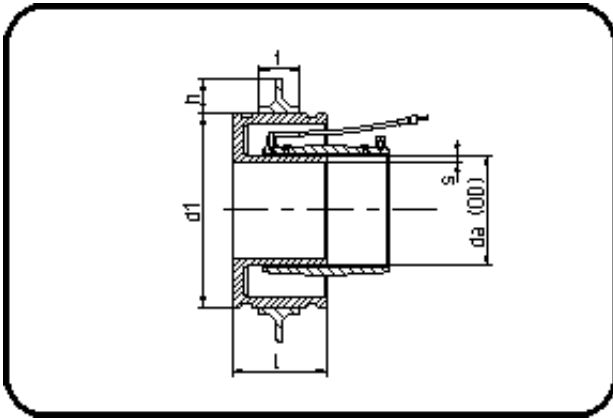


## Electro Fusion Fittings



Code: 178.2

- **Concrete Conn. Socket TYPE2**
- with assembled puddle flange
- machined
- **Electro-fusion**
- **PE 100-RC black**

Dimension	Code	Detail	Weight
400	70.178.2400.17	400 SDR 33-17	26.40

	Unit	Nominale	Tol+	Tol-
da(OD)	mm	400	2.40	0.00
L	mm	135	0.50	0.50
s	mm	23,7	2.50	0.00
d1	mm	550	1.50	1.50
t	mm	75	0.75	0.75
h	mm	37,5	0.75	0.75