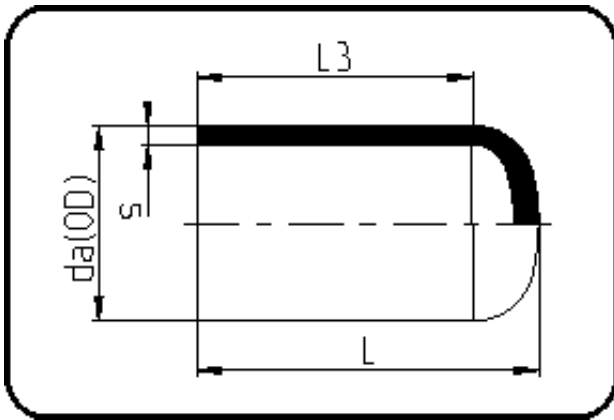


Elongated Fittings



Code: 064

- End Cap
- long spigot
- W/P-TW
- injection moulded
- **Butt + E-socket-welding**
- PE 100-RC black

Dimension	Code	Detail	Weight
63	70.064.0063.17	63X3,8 SDR17 PN10	0.06

	Unit	Nominale	Tol+	Tol-
da(OD)	mm	63	0.40	0.00
L	mm	83	1.50	1.50
L3	mm	66	1.50	1.50
s	mm	3,8	0.50	0.00