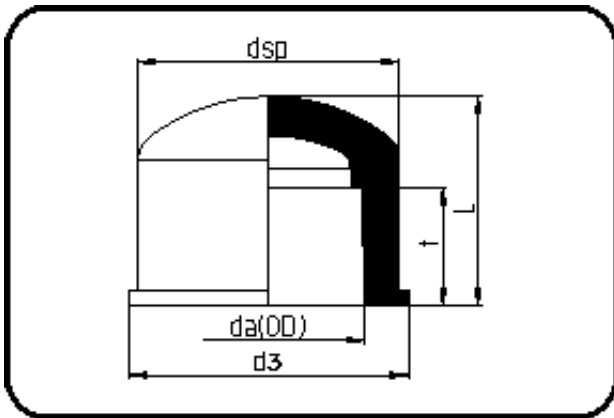


Fittings for Socket Welding



Code: 054

- End Cap
- injection moulded
- **Socket-welding**
- PE 100-RC black

Dimension	Code	Detail	Weight
40	70.054.0040.07	40 - MOP 16 bar	0.04

	Unit	Nominale	Tol+	Tol-
da(OD)	mm	40	0.00	0.00
L	mm	39	0.75	0.75
dsp	mm	52,5	0.75	0.75
t	mm	22	0.75	0.75
d3	mm	58	0.75	0.75
p	bar	16	0.00	0.00