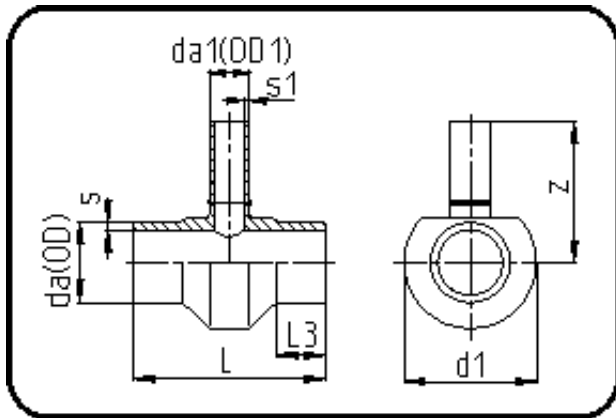


## Fittings with short Spigot



Code: 307

- Tee reduced
- short spigot
- machined
- **Butt-welding**
- **PE 100-RC black**

| Dimension | Code           | Detail                   | Weight |
|-----------|----------------|--------------------------|--------|
| 315/160   | 70.307.3116.07 | 315/160 SDR7,4 ISO S-3,2 | 19.30  |

|         | Unit | Nominale | Tol+  | Tol-  |
|---------|------|----------|-------|-------|
| da(OD)  | mm   | 315      | 2.90  | 0.00  |
| L       | mm   | 310      | 3.00  | 3.00  |
| L3      | mm   | 50       | 1.50  | 1.50  |
| s       | mm   | 43,1     | 4.50  | 0.00  |
| d1      | mm   | 399      | 1.50  | 1.50  |
| s1      | mm   | 21,9     | 2.30  | 0.00  |
| da(OD1) | mm   | 160      | 1.50  | 0.00  |
| z       | mm   | 282,5    | 18.00 | 18.00 |