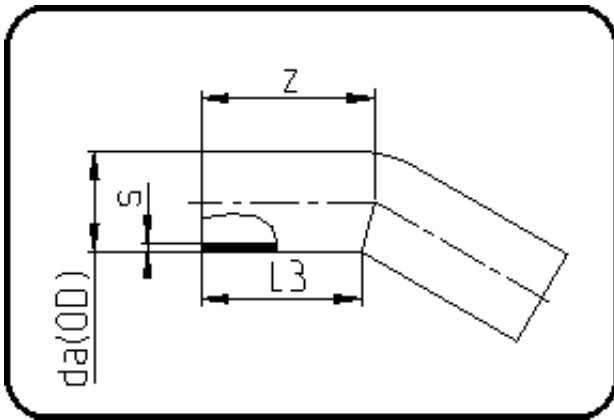


Elongated Fittings



Code: 019

- Elbow 30°
- long spigot
- W/P-TW
- injection moulded
- **Butt + E-socket-welding**
- PE 100-RC black

Dimension	Code	Detail	Weight
110	70.019.0110.11	110X10,0 SDR11 PN16	1.45

	Unit	Nominale	Tol+	Tol-
da(OD)	mm	110	0.00	0.00
L3	mm	195	2.25	2.25
s	mm	10	0.00	0.00
z	mm	216,5	2.25	2.25